

# Model 1550 Servovalve



- Nominal flows rates 1 to 60 l/min @ 70 bar
- ISO 4401-05 mounting pattern
- Sapphire Technology
- Medium & High-Response characteristics
- Internal pilot supply

Star Hydraulics Ltd.  
8A Beta Close  
Tewkesbury Industrial Centre  
Tewkesbury  
Gloucestershire GL20 8SR  
England U.K.

Tel.: 01684 296176  
Fax.: 01684 850714

Email: [sales@star-hydraulics.co.uk](mailto:sales@star-hydraulics.co.uk)  
Web: <http://www.star-hydraulics.co.uk>

<b>Nominal flow ratings</b>	4, 10, 20, 40, 60 l/min at 70 bar p For other flow ratings contact factory						
<b>Hysteresis</b>	< 3% without dither						
<b>Threshold</b>	< 0.5% without dither						
<b>Null bias</b>	< 2%						
<b>Null shift</b>	<table> <tr> <td>with 40°C temp change</td> <td>&lt; 2%</td> </tr> <tr> <td>with 70 bar supply pressure change</td> <td>&lt; 2%</td> </tr> <tr> <td>with return pressure 0 to 35 bar</td> <td>&lt; 2%</td> </tr> </table>	with 40°C temp change	< 2%	with 70 bar supply pressure change	< 2%	with return pressure 0 to 35 bar	< 2%
with 40°C temp change	< 2%						
with 70 bar supply pressure change	< 2%						
with return pressure 0 to 35 bar	< 2%						
<b>Pressure gain</b>	< 1% rated input signal for 60% of supply pressure						
<b>Seal materials available</b>	FPM, NBR, EPDM						
<b>Operating temperature range</b>	-30 °C to 130 °C						
<b>Proof pressure</b>	<table> <tr> <td>at pressure port</td> <td>150% max supply pressure</td> </tr> <tr> <td>at return port</td> <td>100% max supply pressure</td> </tr> </table>	at pressure port	150% max supply pressure	at return port	100% max supply pressure		
at pressure port	150% max supply pressure						
at return port	100% max supply pressure						
<b>Burst pressure</b>	<table> <tr> <td>return port open</td> <td>250% max supply pressure</td> </tr> </table>	return port open	250% max supply pressure				
return port open	250% max supply pressure						
<b>External leakage</b>	zero						
<b>Degree of protection</b>	IP 65 (BS EN 60529 : 1992)						
<b>Weight</b>	1.1 kg						
<b>Mounting position</b>	Any, fixed or movable						

<b>Supply filtration</b>	<table> <tr> <td>minimum</td> <td><math>_{10}</math> 75 (10 micron abs)</td> </tr> <tr> <td>recommended</td> <td><math>_5</math> = 200 (5 micron abs)</td> </tr> </table>	minimum	$_{10}$ 75 (10 micron abs)	recommended	$_5$ = 200 (5 micron abs)		
minimum	$_{10}$ 75 (10 micron abs)						
recommended	$_5$ = 200 (5 micron abs)						
<b>Fluid cleanliness level</b>	<table> <tr> <td>minimum</td> <td>ISO 4406 - 16/13</td> <td>NAS 1638 - class 7</td> </tr> <tr> <td>recommended</td> <td>ISO 4406 - 13/10</td> <td>NAS 1638 - class 4</td> </tr> </table>	minimum	ISO 4406 - 16/13	NAS 1638 - class 7	recommended	ISO 4406 - 13/10	NAS 1638 - class 4
minimum	ISO 4406 - 16/13	NAS 1638 - class 7					
recommended	ISO 4406 - 13/10	NAS 1638 - class 4					
<b>Supply pressure</b>	<table> <tr> <td>min. to effect spool movement</td> <td>3.5 bar</td> </tr> <tr> <td>minimum recommended</td> <td>15 bar</td> </tr> <tr> <td>maximum continuous</td> <td>210 bar (FPM)                      315 bar (NBR)</td> </tr> </table>	min. to effect spool movement	3.5 bar	minimum recommended	15 bar	maximum continuous	210 bar (FPM)                      315 bar (NBR)
min. to effect spool movement	3.5 bar						
minimum recommended	15 bar						
maximum continuous	210 bar (FPM)                      315 bar (NBR)						
<b>Viscosity</b>	VG 10 to 100 ISO 3448						
<b>Fluid type</b>	Petroleum based mineral oils For operation with other media contact factory						

### Calculating output flow

The output flow for a given pressure drop can be calculated using the following:

$$q = q_N \sqrt{\frac{\rho_N}{\rho_V}}$$

Where:

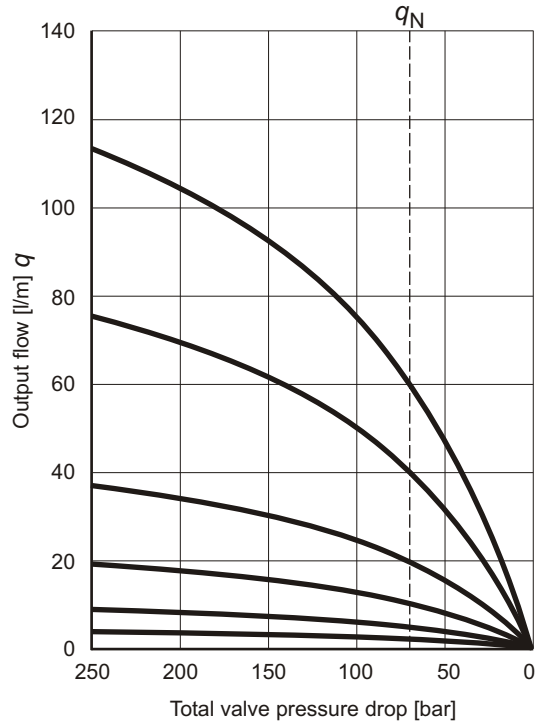
$q$  = Output flow [l/min]

$q_N$  = Rated flow [l/min]

$\rho_N$  = Valve pressure drop [bar]

$\rho_V$  = Rated valve pressure drop [bar]

Output flow versus load pressure difference

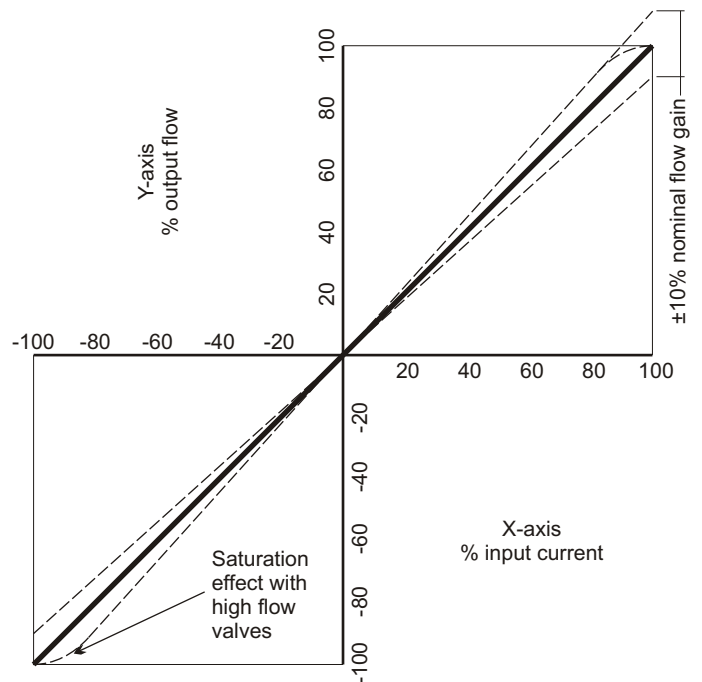


### Internal leakage

This comprises of both pilot stage flow (tare leakage) and the second stage null leakage, typical values for this size of valve would be:

Rated flow	Internal leakage at 140 bar
4 l/min	< 1.2 l/min
10 l/min	< 1.6 l/min
20 l/min	< 2 l/min
40 l/min	< 2 l/min
60 l/min	< 2 l/min

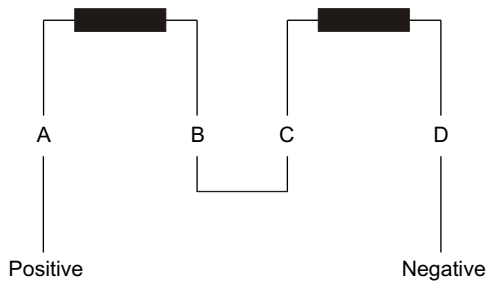
Output flow versus input signal at constant valve pressure drop



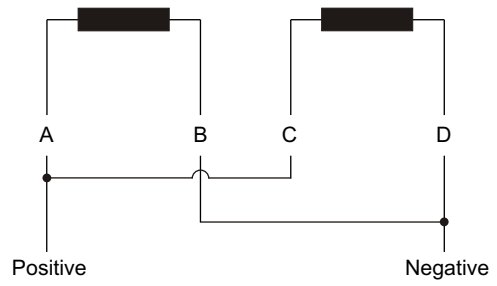
The flow tolerance for standard servovalves is  $\pm 10\%$  of the nominal rated flow at  $\pm 100\%$  input signal.

The rated flow is quoted at 70 bar  $p$  and 100% rated input signal.

**Coil schematics**



**Series connection**



**Parallel connection**

**Output flow polarity**

Flow in the direction of P→C2, C1→R will occur with the pilot stage coils configured as above.

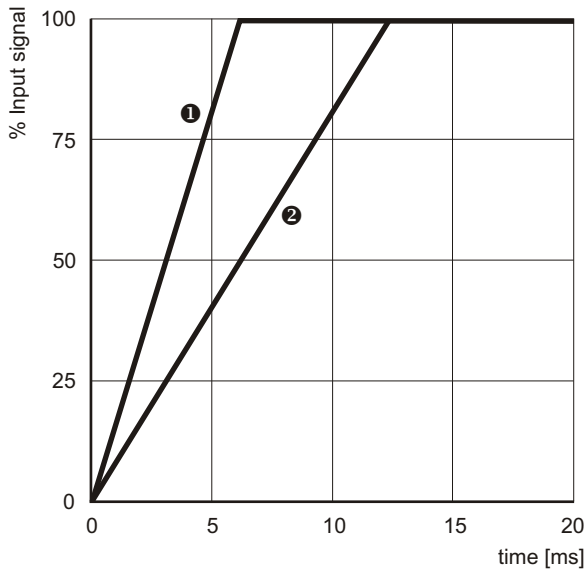
**Coil options**

Coil specification		Series connection		Parallel connection	
Rated signal [mA]	Resistance per coil [ Ω ]	Input current [mA]	Effective resistance [ Ω ]	Input current [mA]	Effective resistance [ Ω ]
10	1000	5	2000	10	500
15	200	7.5	400	15	100
15	350	7.5	700	15	175
20	1200	10	2400	20	600
30	300	15	600	30	150
30	800	15	1600	30	400
40	80	20	160	40	40
60	40	30	80	60	20
60	320	30	640	60	160
80	22	40	44	80	11
100	27	50	54	100	13.5
200	22	100	44	200	11

**Electrical connection**

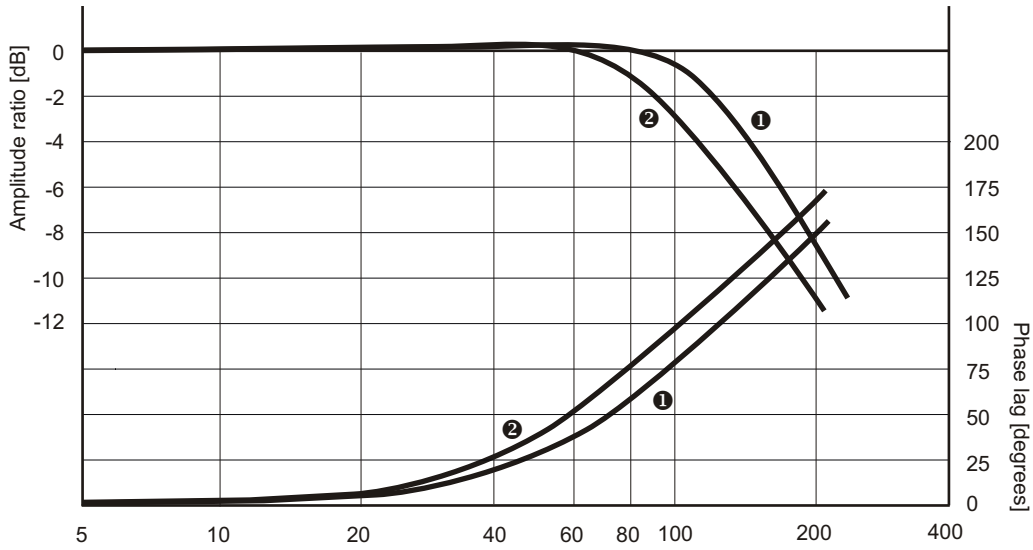
Standard connector is MS3102E-14S-2P (MIL-C-5015). Please contact factory for more options.

# Transient Response (MR)

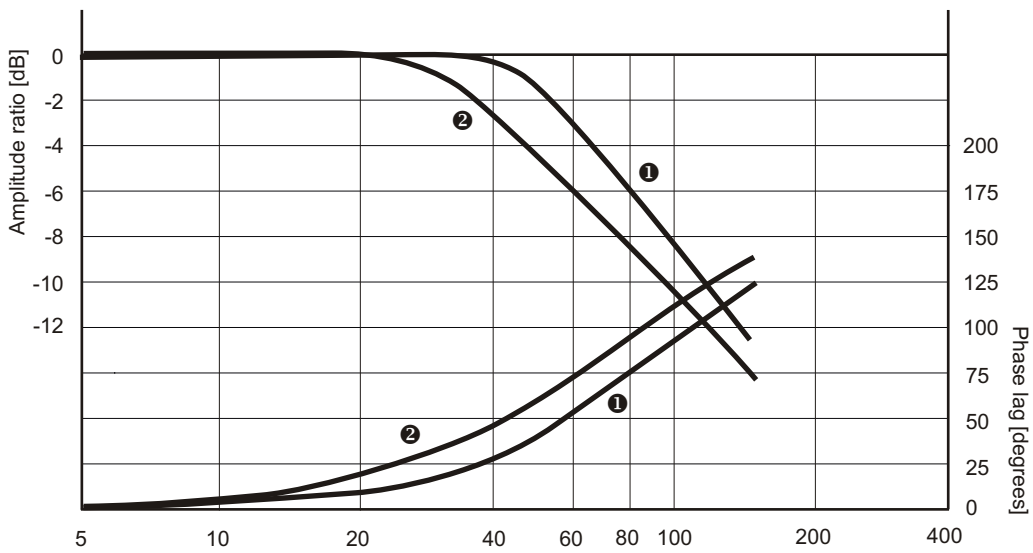


[1] Rated flow = 4 l/min  
 [2] Rated flow = 60 l/min  
 Supply pressure = 210 bar

# Frequency Response (MR)

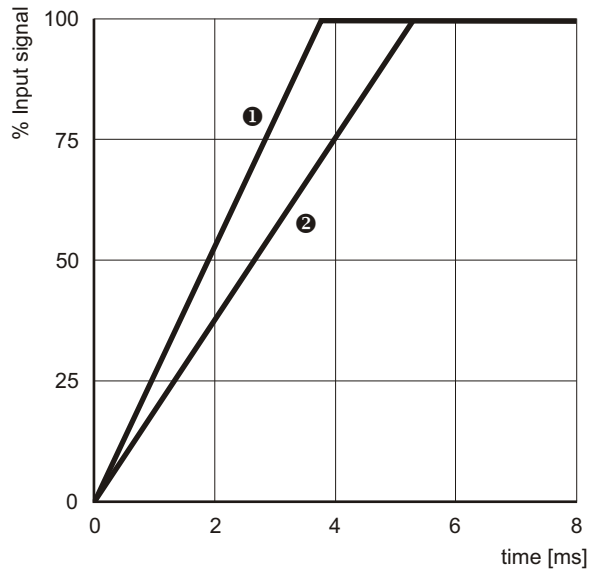


Input signal = 25%  
 [1] Rated flow = 4 l/min  
 [2] Rated flow = 60 l/min  
 Supply pressure = 210 bar



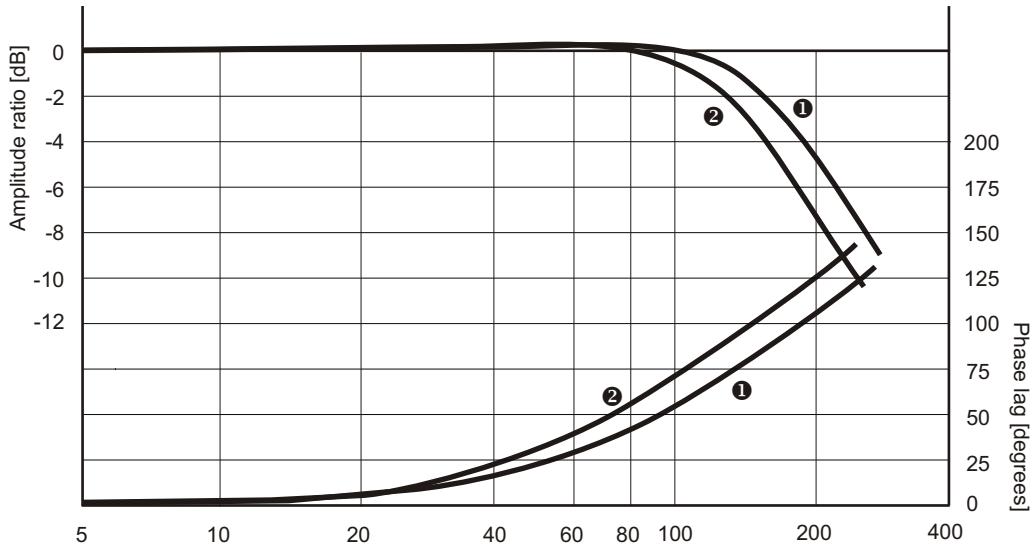
Input signal = 100%  
 [1] Rated flow = 4 l/min  
 [2] Rated flow = 60 l/min  
 Supply pressure = 210 bar

# Transient Response (HR)

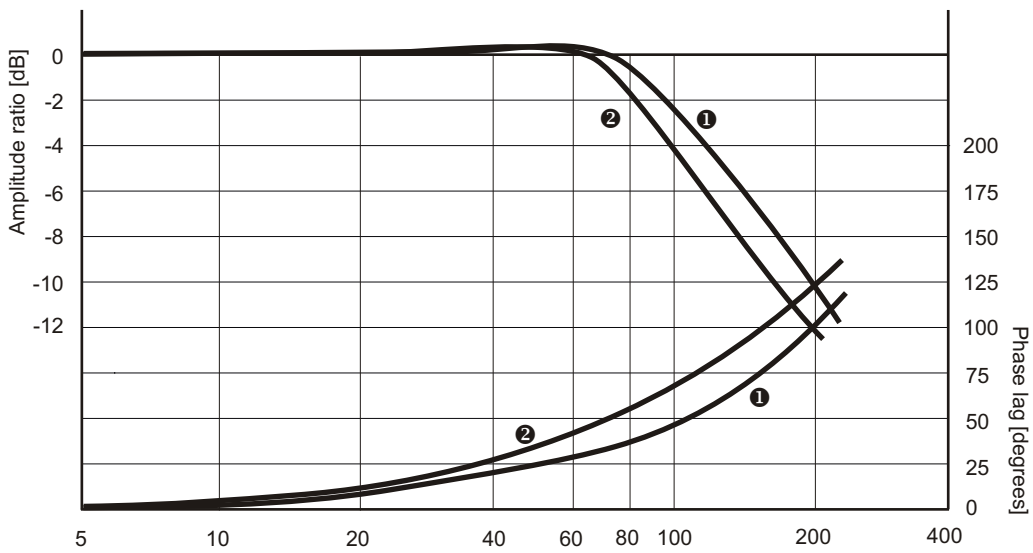


[1] Rated flow = 4 l/min  
 [2] Rated flow = 40 l/min  
 Supply pressure = 210 bar

# Frequency Response (HR)



Input signal = 25%  
 [1] Rated flow = 4 l/min  
 [2] Rated flow = 40 l/min  
 Supply pressure = 210 bar



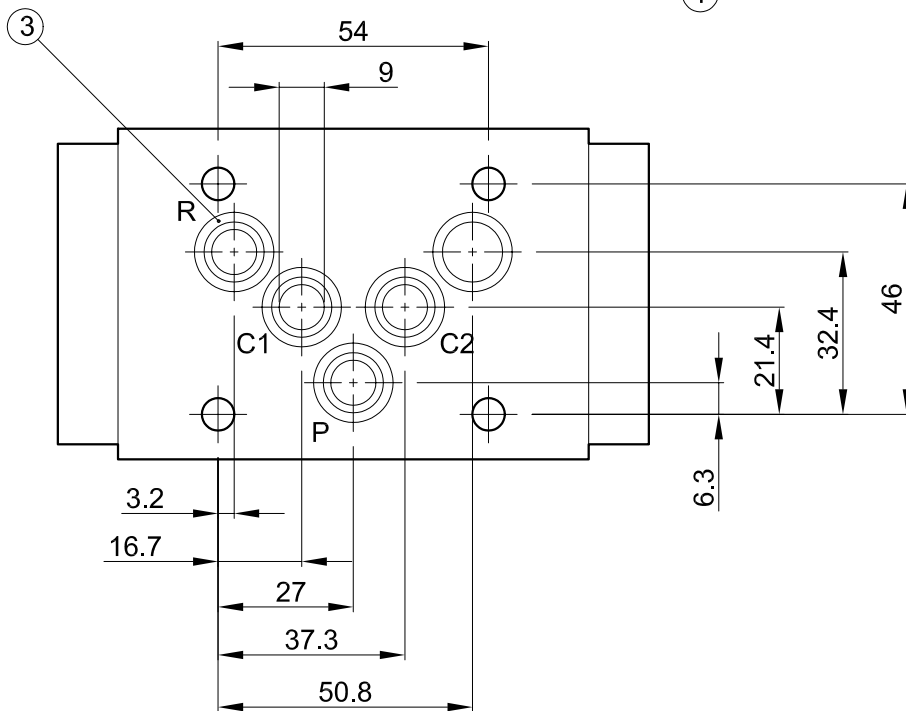
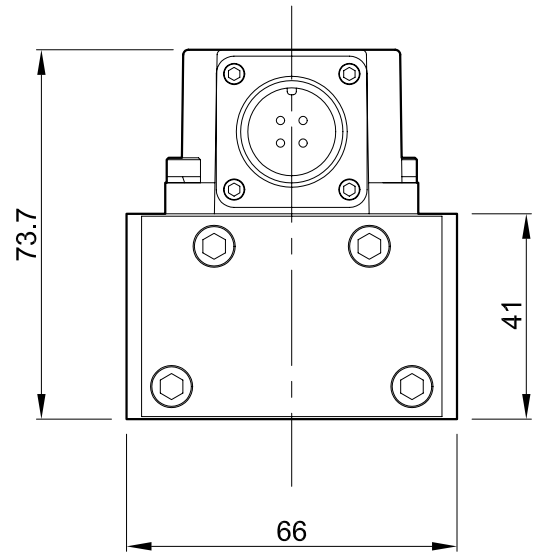
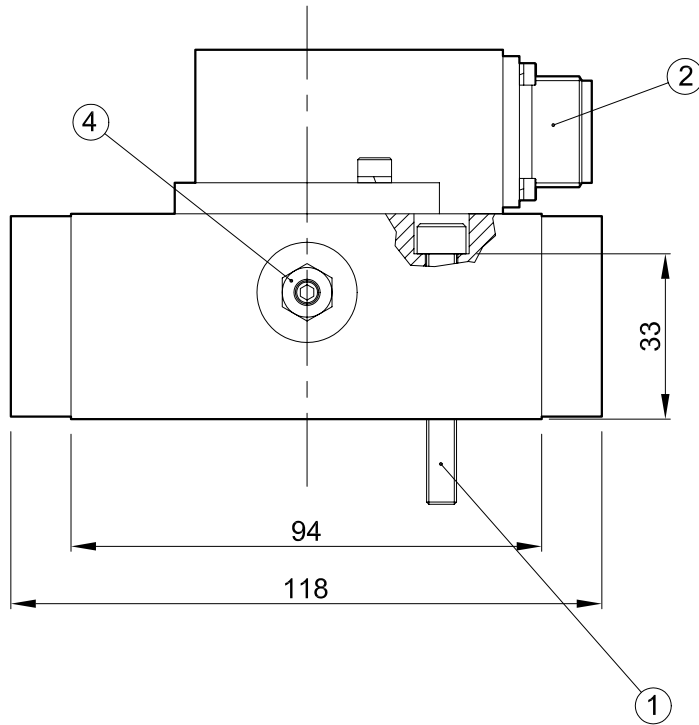
Input signal = 100%  
 [1] Rated flow = 4 l/min  
 [2] Rated flow = 40 l/min  
 Supply pressure = 210 bar

1. Suggested mounting bolts M6 x 50 long high tensile steel socket head cap screws.

2. 4-way electrical connector mates with MS3106-14S-2S or equivalent. Is available at  $\pm 90^\circ$  and  $180^\circ$  to position shown (advise desired position at time of order).

3. Base O-Rings: 12.0 I/D x 2.0 section (5 pcs).

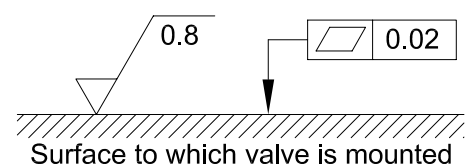
4. Null adjust requires 10 A/F ring spanner and 2.5 hexagon key. Flow out of C2 will increase with clockwise rotation of key.

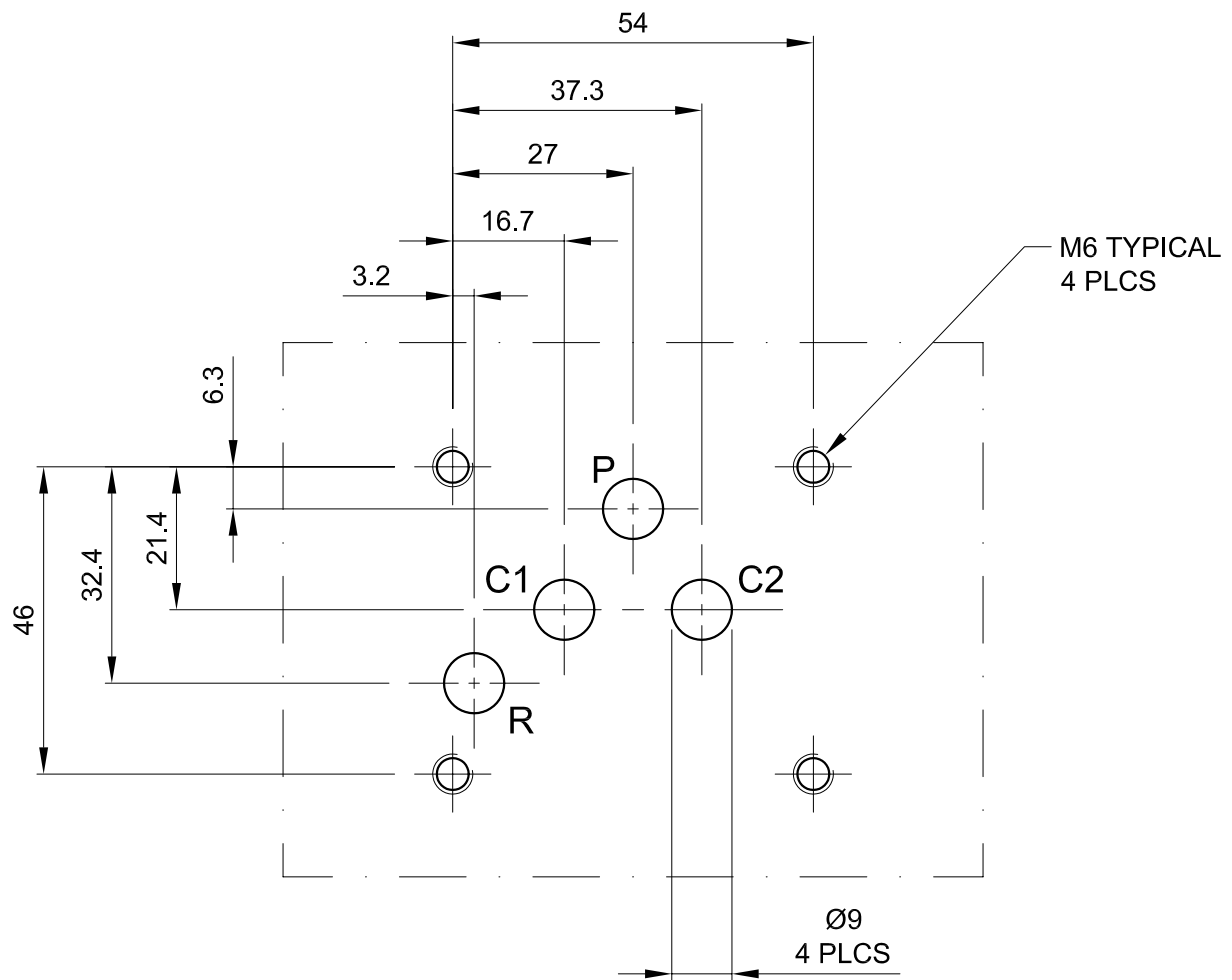


## Installation Details Model 1550

Dimensions in millimeters  
3rd angle projection

Filename





# Manifold Dimensions Model 1550

Dimensions in millimeters  
3rd angle projection

Filename

